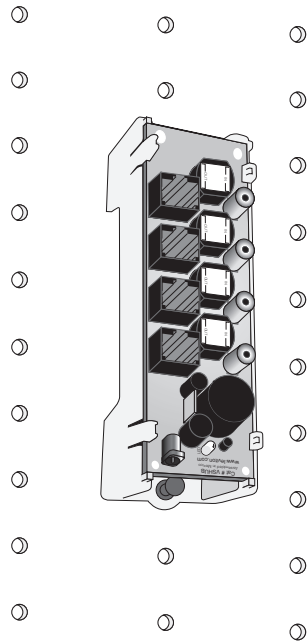


Installation Instructions

Camera Hub



DESCRIPTION

The Camera Hub will distribute video from 4 cameras to a TV monitor, multiplexer, quad or Leviton IP quad by simply patching an RCA cable to the device. The Leviton UTP camera system will transmit video and power over a single UTP (Cat 5, 5e, or 6) cable. The Camera Hub supplies DC power to the cameras, and routes video signals from the cameras to RCA connectors to adapt to most video distribution systems.

PACKAGE CONTENTS

Camera Hub Plastic Bracket 4 RCA Video Cables Power Supply

INSTALLATION

- Install in the single plastic bracket (Cat No. 47612-SBK) supplied, or use a Leviton expansion bracket (Cat No. 47612-EBK-sold separately) and mount the Camera Hub onto the bracket in an open slot.
- Connect a Cat 5e patch cord between the Camera Hub and the Voice and Data board.
- Run power to the board using one of the power supplies listed below.

CONNECTING UTP CAMERA CABLE TO THE CAMERA HUB:

- Terminate your UTP cable in the SMC to an open port on your Leviton Voice and Data Module. (Cat No. 47605-C5B-sold separately)
- Connect a UTP patch cable from the voice and data board to one of the 4 ports on the Camera Hub.

POWERING THE UNIT

If your camera UTP cable is 100 Meters (328ft) or less the Camera Hub located inside your Structured Media™ Center will power your camera.

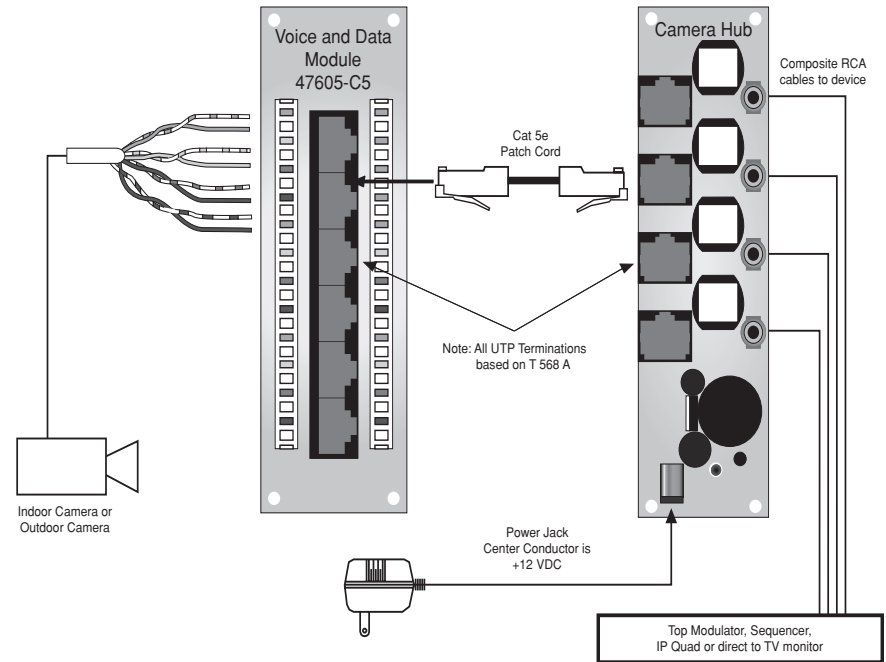
- Leviton Compatible Power Supplies:

Note: Each Outdoor Camera in no light conditions draws about 220 mA from the Camera Hub. Each Indoor Camera draws about 110 mA from the Camera Hub. Make sure the sum of the currents from all devices powered by the power supply in the SMC does not exceed the maximum output of that power supply.

- 47605-PSA (Maximum output: 12VDC at 3000 mA)
- 47605-PSB (Maximum output: 12VDC at 750 mA)
- 48212-DC (Maximum output: 12VDC at 1500 mA)

Note: The Camera Hub board (VSHUB) regulates and raises the voltage of the 12VDC input to 15VDC before sending it over the Cat 5e to the camera. Three pairs of Cat 5e cable provide power to the camera to reduce the resistance loss in the cable. A regulator circuit at the camera reduces the voltage back to 12VDC to power the camera engine.

- One pair of the Cat 5e is a balanced video signal from the camera to the SMC Camera Hub (VSHUB). The remaining pairs are for power to the camera.



Signal Connections (T568A)	
Wire Color	Signal
White/Green	Power
Green	Ground
White/Orange	Video Signal
Blue	Ground
White/Blue	Power
Orange	Video Signal Ground (-)
White/Brown	Power
Brown	Ground

CONNECTING THE CAMERA HUB TO OTHER VIDEO DEVICES:

- The Camera Hub composite Video Output RCA connectors offer connection to a variety of other equipment in the Structured Media Center.
- Use the supplied composite video (RCA – to – RCA, 3 ft. cables) to connect to one or more of the following video devices:
 - Leviton Video Sequencer (Cat No. 48213-CVS)
 - Leviton Video Modulator (Cat No. 48213-VMA)
 - Direct to TV location over second RG-6QS Cable (separate from CATV or Satellite cable drop)

Note: The direct to TV application requires the use of either an RCA male connector (not supplied) terminated directly on the RG-6QS cable at the SMC end, or an RCA plug to F-connector adapter (not supplied). At the TV location, use a QuickPort Compression RCA Connector (Cat No. 40782-RWW) in the QuickPort wallplate.

CAMERA HUB SPECIFICATIONS

Camera Hub Parameter	Value
Camera Inputs	RJ-45 Jack, 4 each
Camera Outputs	Composite Video, 4 each
Input Power Connection	Center positive, 2.1 mm jack
Input Voltage	12 VDC (+/- 10%)
Input Current (max)	1500 mA
Output Voltage to Cameras	15 VDC (+/- 10%)
Output Current (maximum)	1200 mA
Power Consumption (maximum)	18 Watts
Storage Temperature	-10° C to + 60° C
Plug Power Supply Input Voltage	120 VAC (+/-15%)
Plug Power Supply Output Voltage	12 VDC (+/-5%)
Plug Power Supply Output Current	1500 mA (minimum)
Operating Temperature	0° C to + 60° C
Dimensions	Height: 5.75 (146.1 mm)
	Width: 1.75 (44.4 mm)
	Depth: 0.86 (21.8 mm)
Weight	3.2 oz. (92 g)

TROUBLESHOOTING:

No Video from Camera RCA

- Make sure both Camera and Camera Hub have correct power. The green LED should be lit on each board.
- Plug RCA cable from Camera Hub into monitor and set to composite video signal.

No Video at Camera Hub board

- Verify all RJ-45 plugs are wired T568A

IMPORTANT INSTRUCTIONS

1. Read and understand all instructions. Follow all warnings and instructions marked on the product.
2. Do not use this product near water—e.g., near a tub, wash basin, kitchen sink or laundry tub, in a wet basement, or near a swimming pool.
3. Never touch objects of any kind into this product through openings, as they may touch dangerous voltages.
4. SAVE THESE INSTRUCTIONS.

SAFETY INFORMATION

1. Never install communications wiring or components during a lightning storm.
2. Never install communications components in wet locations unless the components are designed specifically for use in wet locations.
3. Never touch uninsulated wires or terminals unless the wiring has been disconnected at the network interface.
4. Use caution when installing or modifying communications wiring or components.
5. To prevent electrical shock, each opening must be filled with a module.

LIMITED 2 YEAR WARRANTY AND EXCLUSIONS

Leviton warrants to the original consumer purchaser and not for the benefit of anyone else that this product at the time of its sale by Leviton is free of defects in materials and workmanship under normal and proper use for two years from the purchase date. Leviton's only obligation is to correct such defects by repair or replacement, at its option, if within such two year period the product is returned prepaid, with proof of purchase date, and a description of the problem to **Leviton Manufacturing Co., Inc., Att: Quality Assurance Department, 59-25 Little Neck Parkway, Little Neck, New York 11362-2591**. This warranty excludes and there is disclaimed liability for labor for removal of this product or reinstallation. This warranty is void if this product is installed improperly or in an improper environment, overloaded, misused, opened, abused, or altered in any manner, or is not used under normal operating conditions or not in accordance with any labels or instructions. **There are no other or implied warranties of any kind, including merchantability and fitness for a particular purpose**, but if any implied warranty is required by the applicable jurisdiction, the duration of any such implied warranty, including merchantability and fitness for a particular purpose, is limited to two years. **Leviton is not liable for incidental, indirect, special, or consequential damages, including without limitation, damage to, or loss of use of, any equipment, lost sales or profits or delay or failure to perform this warranty obligation.** The remedies provided herein are the exclusive remedies under this warranty, whether based on contract, tort or otherwise.

For Technical Assistance Call:
1-800-824-3005 (U.S.A. Only)
www.leviton.com

LEVITON ARTWORK SPECIFICATIONS

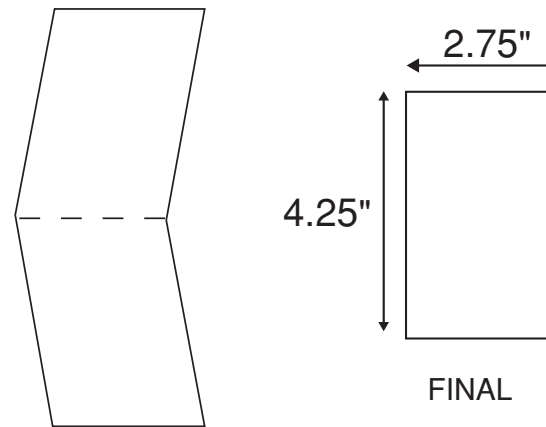
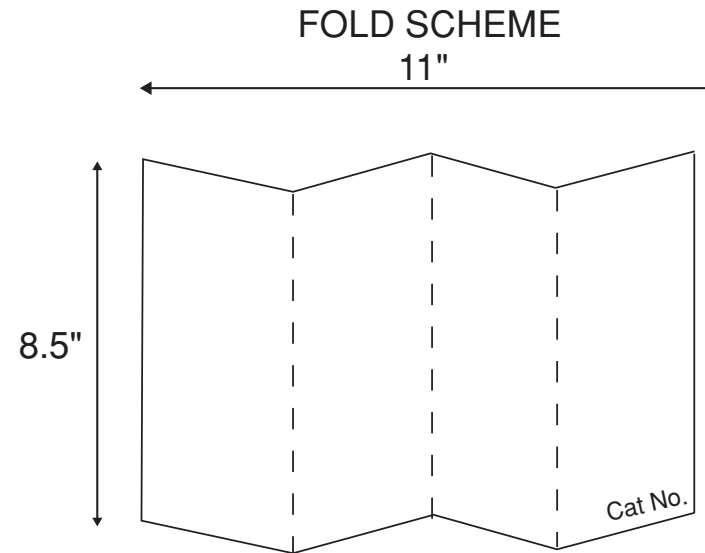
- Artwork No/Rev Level: DI-000-T5979-20A
- Color(s): 1 over 1
 1. Black 2. _____
 3. _____ 4. _____
 5. _____ 6. _____
- Font Families: Helvetica
- Material Type: 50 lb. offset
Gauge: _____
- Coating:
 - Aqueous Gloss Blister Coating
(Wax Free Inks)

DOCUMENTATION

- ECO No.: N/A
- Art Revision Description: _____
- Artist: HSZ Date: 11/15/06

The information in this document is the exclusive PROPRIETARY property of LEVITON MANUFACTURING COMPANY, INC. It is disclosed with the understanding that acceptance or review by the recipient constitutes an undertaking by the recipient. (1) to hold this information in strict confidence, and (2) not to disclose, duplicate, copy, modify, or use the information for any purpose other than that for which disclosed.

Copyright © 1997 Leviton Mfg. Co. Inc.
Unpublished, All Rights Reserved



— — — — — Fold Line